



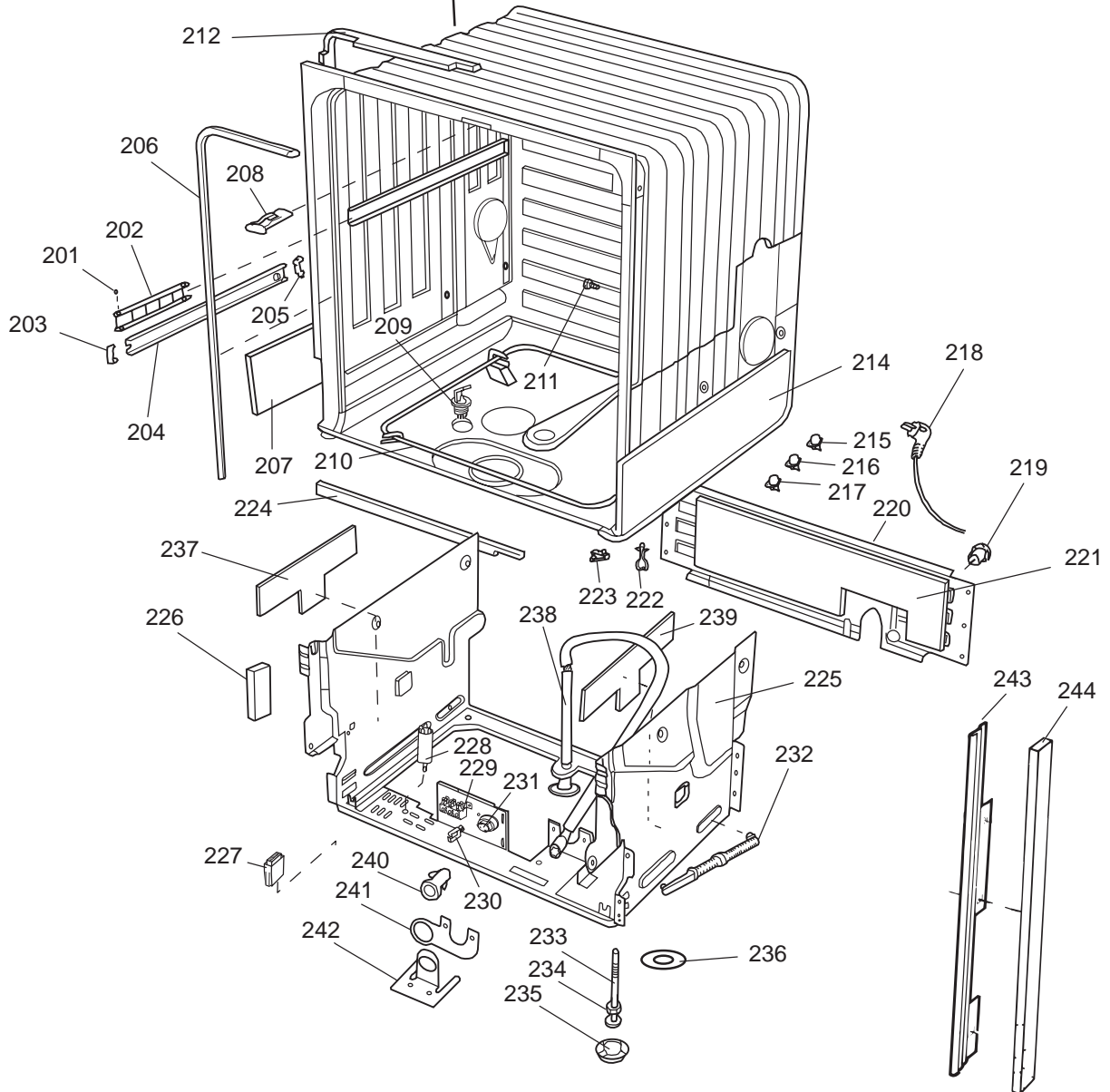
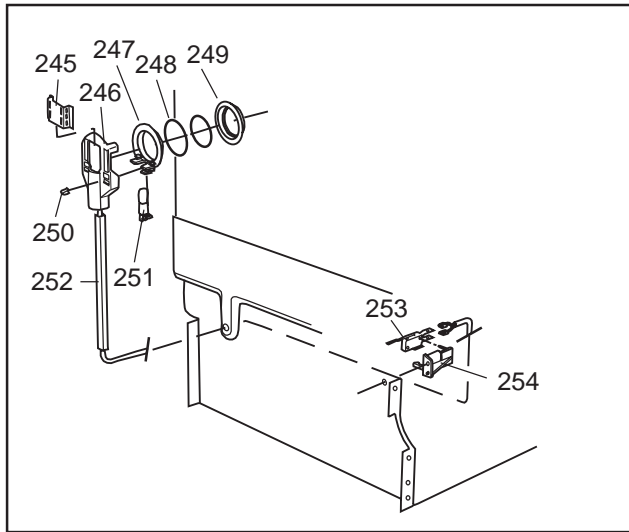
## Spare Parts Catalogue

Dishwashers \ 06 Generation  
Type: DW95FI  
Model: D1996 US M-Grey FI

Prod. No: 107199631  
November 17th 2004

**AM Appliances Group**

P.O. Box 851805 • Richardson • TX 75085-1805  
789 N. Grove Road • Suite 103 • Richardson • TX 75081



## Container and related parts

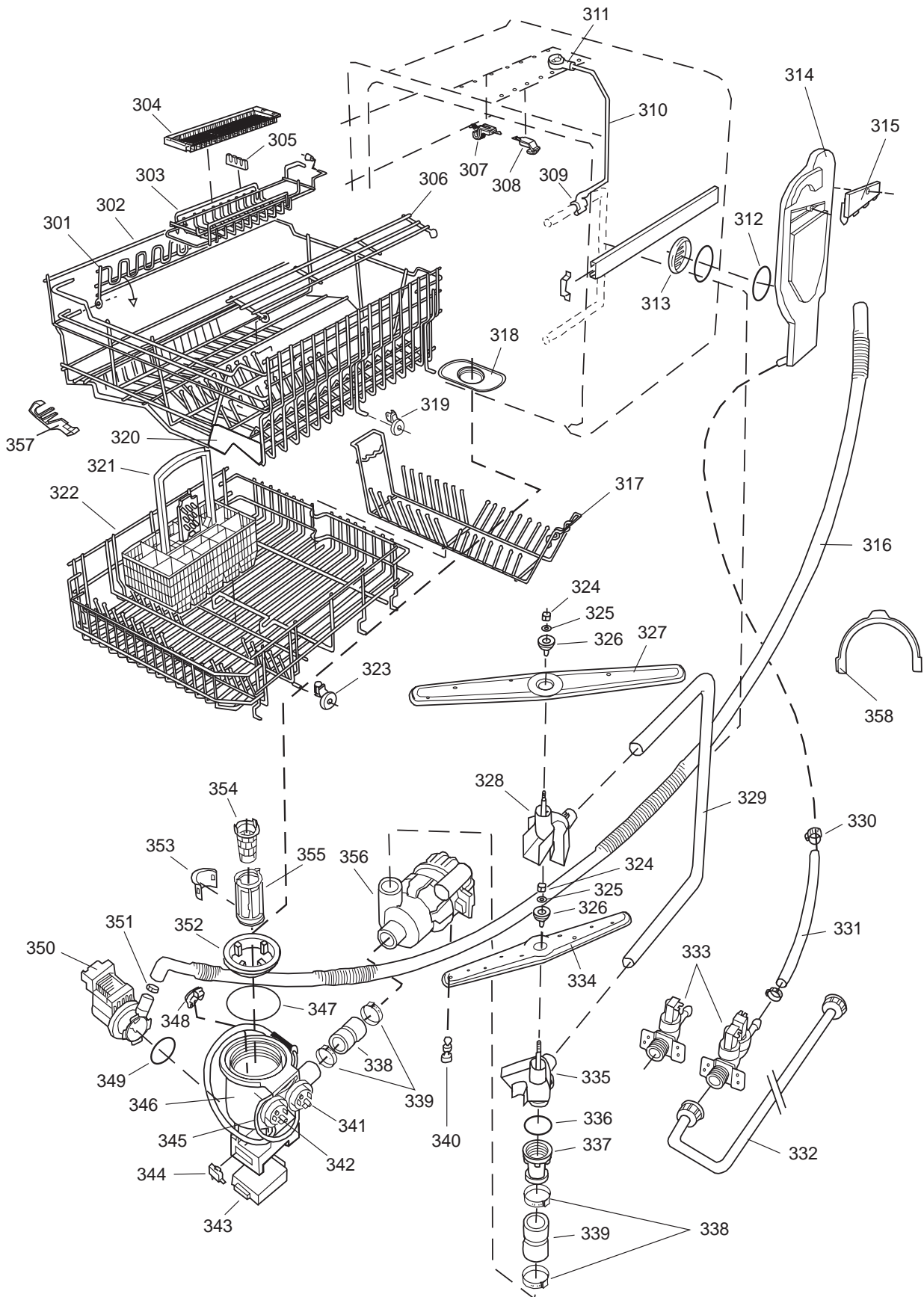
### ASKO, D1996 US - M-Grey FI (DW95FI)

| Pos   | Spare part No. | Description                  | Qty   | Comment               |
|-------|----------------|------------------------------|-------|-----------------------|
| 201   | 8057977        | Bearing Upper Rail 05/06 DW  | 8 Pcs |                       |
| 202   | 8058638-77     | Ball Holder, Upper Rail DW   | 2 Pcs |                       |
| 203   | 8057979-77     | Rack Stop Grey 05/06 DW      | 2 Pcs |                       |
| 204   | 8057052        | Guide Rail '05 '06 DW        | 2 Pcs |                       |
| 205   | 8057978-77     | Rail Stop - Back Grey 05/06  | 2 Pcs |                       |
| 206   | 8057489        | Tub Seal 05/06 DW            | 1 Pcs |                       |
| 210   | 8002370        | Protective Collar            | 2 Pcs |                       |
| 210   | 8057077        | Heating Element DW 05/06 140 | 1 Pcs |                       |
| 211   | 8901110        | Screw w/O-Ring DW 05/06 25-T | 4 Pcs |                       |
| 212   | 8060065        | Sealing Strip '05            | 1 Pcs |                       |
| 212   | 8060066        | Sealing Strip, casing '05    | 1 Pcs |                       |
| 216   | 8002579        | T-Stat 05/06 DW Overheat     | 1 Pcs |                       |
| 218   | 8074043        | Power supply cord            | 1 Pcs |                       |
| 220   | 8057527        | Rear plate cover             | 1 Pcs |                       |
| 220-a | 8902357        | Screw                        | 5 Pcs |                       |
| 222   | 8070142        | Cable holder, rear 05        | 1 Pcs |                       |
| 223   | 8058495        | Cable holder, door 05        | 1 Pcs |                       |
| 224   | 8060033        | Sound Absorb                 | 1 Pcs |                       |
| 225   | 8057523        | Bottom and Side support '05  | 1 Pcs |                       |
| 225   | 8074566        | Bottom Outer                 | 1 Pcs | If equipt with 3-feet |
| 226   | 8060038        | Sound absorb, slab motor '05 | 2 Pcs |                       |
| 228   | 8058558        | RFI 05/06 WM                 | 1 Pcs |                       |
| 229   | 8050251        | Terminal Block DW All        | 1 Pcs |                       |
| 229-a | 8900357        | Screw, terminal block        | 1 Pcs |                       |
| 230   | 8059991        | Cable holder, supply line 05 | 1 Pcs |                       |
| 231   | 8006948        | Grommet                      | 1 Pcs |                       |
| 232   | 8071323-77     | DW Extra Heavy Duty Door Spr | 2 Pcs |                       |
| 233   | 8057062        | Subs to 8074877              | 4 Pcs |                       |
| 233   | 8074877        | Foot                         | 2 Pcs |                       |
| 234   | 8901156        | Nut, Levelling Legs          | 4 Pcs |                       |
| 235   | 8051957        | Slide, foot 02 DW            | 3 Pcs |                       |
| 236   | 8072119        | Washer                       | 2 Pcs |                       |
| 238   | 8073647        | Foot Adjustable from Front C | 1 Pcs |                       |
| 241   | 8060255        | No longer Avail. po# 8008- H | 1 Pcs |                       |
| 242   | 8070495        | Inlet Valve Mount            | 1 Pcs |                       |
| 242-a | 8900327        | Screw 20 Torx, Self Tapping  | 2 Pcs |                       |
| 245   | 8054916        | Reflector, light DW          | 1 Pcs |                       |
| 246   | 8054915        | Protection Lamp              | 1 Pcs |                       |
| 247   | 8053087        | Interior Light, Housing All  | 1 Pcs |                       |
| 247-a | 8901097        | Screw, Terminal              | 1 Pcs |                       |
| 247-b | 8901242        | Nut                          | 1 Pcs |                       |
| 247-c | 8901413        | Lock Washer, laundry tops    | 1 Pcs |                       |
| 248   | 8901763        | O-Ring, Interior Light All D | 1 Pcs |                       |
| 249   | 8053086        | Lock Ring Light 05/06 DW     | 1 Pcs |                       |
| 250   | 8901592        | Filter Dryer Clip            | 2 Pcs |                       |
| 251   | 8055148        | Interior Light Bulb DW       | 1 Pcs |                       |
| 252   | 8059968        | Cable channel, light 05      | 1 Pcs |                       |
| 253   | 8058469        | Micro switch, light 05       | 1 Pcs |                       |
| 254   | 8054907        | BRACKET, LAMP SWITCH         | 1 Pcs |                       |
| 254-a | 8902087        | Screw, Plastic Housing 20 To | 1 Pcs |                       |

Datum  
2003-03-24  
Date

## DISKSYSTEM

## DISHWASHING SYSTEM



## Dishwashing system

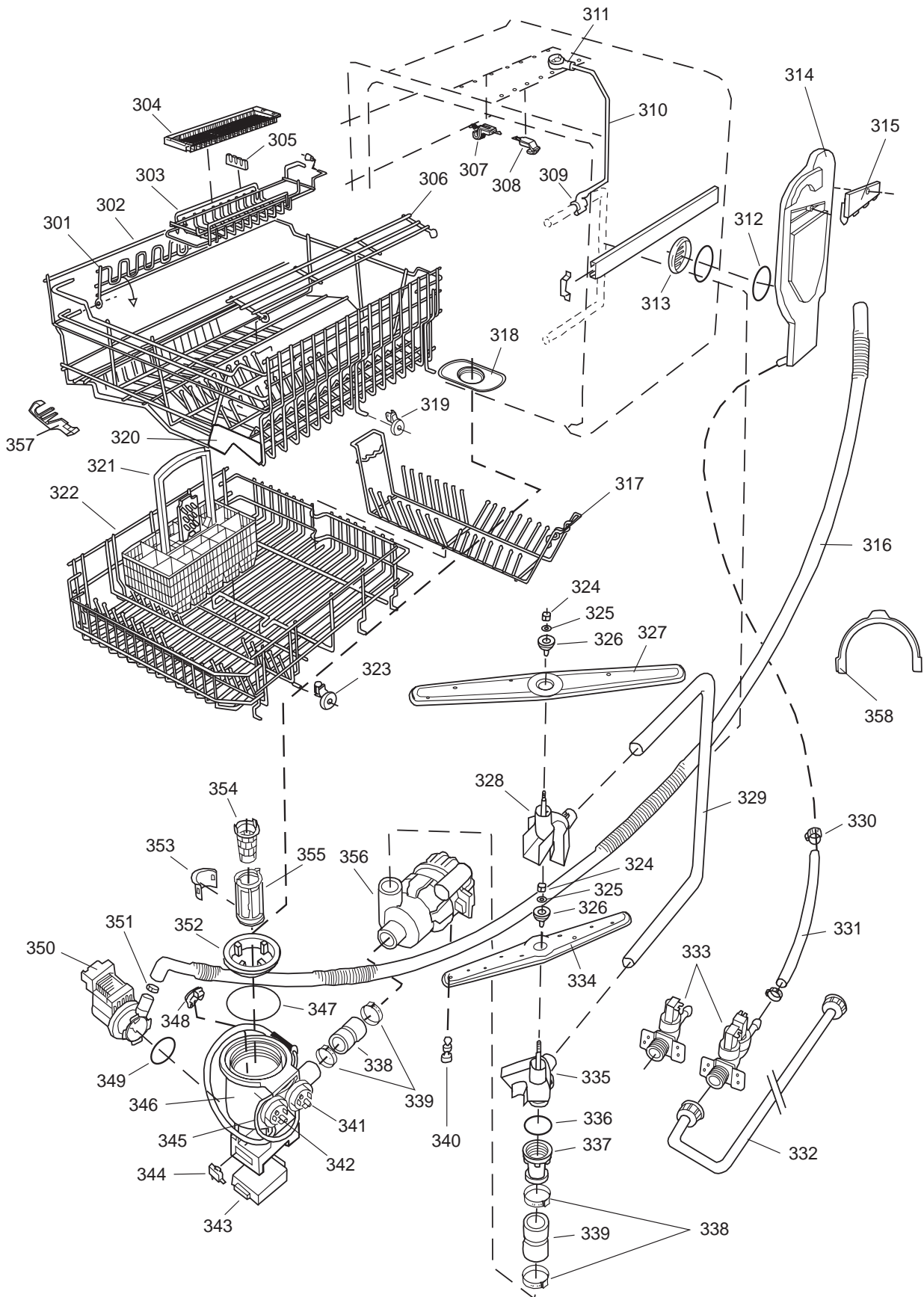
### ASKO, D1996 US - M-Grey FI (DW95FI)

| Pos   | Spare part No. | Description                  | Qty    | Comment        |
|-------|----------------|------------------------------|--------|----------------|
| 301   | 8071337-36     | Cup Shelf Wine Glass 05/06 D | 1 Pcs  |                |
| 302   | 8801199-36     | Rack, Upper 05 & 06 DW       | 1 Pcs  | with cup shelf |
| 303   | 8057058-36     | Basket knife box 05          | 1 Pcs  |                |
| 304   | 8053376-77     | Long Rack - Silverware Upper | 1 Pcs  |                |
| 305   | 8057505-77     | Knife Holder DW 05/06        | 1 Pcs  |                |
| 306   | 8072550-36     | Cup Shelf Divider            | 2 Pcs  |                |
| 307   | 8057502        | Clip, Upper Knife Rack DW    | 1 Pcs  |                |
| 308   | 8058453        | Clip, Knife Basket 1800's DW | 1 Pcs  |                |
| 309   | 8057504-77     | Spray Pipe Grommet Lower Gre | 1 Pcs  |                |
| 310   | 8057500        | Spray pipe 05                | 1 Pcs  |                |
| 311   | 8057503-77     | Spray Pipe Grommet Upper Gra | 1 Pcs  |                |
| 313   | 8057536-77     | Lockring Airbreak Gray       | 1 Pcs  |                |
| 314   | 8057514        | Sub To 8801234               | 1 Pcs  |                |
| 316   | 8075484        | OUTLET HOSE NON RETURN VALVE | 1 Pc's |                |
| 316   | 8070304        | Drain Hose 05/06 DW          | 1 Pcs  |                |
| 316-a | 8052239        | Hose Clamp, Squeeze          | 1 Pcs  |                |
| 316-a | 8073403        | Non Return Valve             | 1 Pcs  |                |
| 316-b | 8053642        | Hose Clip                    | 1 Pcs  |                |
| 318   | 8059740        | Strainer Upper 05/06 DW      | 1 Pcs  |                |
| 319   | 8058498-77     | Wheel, Upper Basket 05/06 DW | 4 Pcs  |                |
| 321   | 8801089-77     | Cutlery Basket 05/06 DW      | 1 Pcs  |                |
| 322   | 8801200-36     | Lower Basket 05/06 DW        | 1 Pcs  |                |
| 323   | 8009516-77     | Rack Wheels Lower 05/06 DW   | 8 Pcs  |                |
| 324   | 8901262        | Nut for Spray Arm 05         | 2 Pcs  |                |
| 325   | 8052095        | Ceramic Washer, Spray Arm 05 | 2 Pcs  |                |
| 326   | 8057070-77     | Spray Arm Insert 05/06 DW    | 2 Pcs  |                |
| 327   | 8072695        | Spray Arm - Upper 05/06 DW   | 1 Pcs  |                |
| 328   | 8057068-77     | Spray Pipe Bearing Upper     | 1 Pcs  |                |
| 329   | 8057063-D      | Spray pipe w/upper cutlery   | 1 Pcs  |                |
| 329   | 8057063        | Spray pipe, inner 05         | 1 Pcs  |                |
| 330   | 8052189        | Hose Clamp, Squeeze          | 2 Pcs  |                |
| 331   | 8070622        | Ruber Hose                   | 1 Pcs  |                |
| 332   | 8073879        | Fill hose quick connect      | 1 Pcs  |                |
| 333   | 8073996        | Water valve dual. Ease Insta | 1 Pcs  |                |
| 333   | 8072123        | Fill Valve, Double 05/06 DW. | 1 Pcs  |                |
| 333-a | 8902087        | Screw, Plastic Housing 20 To | 2 Pcs  |                |
| 334   | 8072692        | Spray Arm - Lower 05/06 DW   | 1 Pcs  |                |
| 335   | 8057067-77     | Lower Washarm Support 05/06  | 1 Pcs  |                |
| 336   | 8901755        | O-Ring Seal                  | 1 Pcs  |                |
| 337   | 8057069        | Retainer Nut SprayArm 05/06  | 1 Pcs  |                |
| 338   | 8052097        | Hose Clamp, Circ. Pump 05/06 | 4 Pcs  |                |
| 339   | 8057484        | Hose, Circ. Pump 05/06 DW    | 2 Pcs  |                |
| 340   | 8055095        | BUFFER, Circumpump 03/04 DW  | 1 Pcs  |                |
| 341   | 8071024        | Level Switch 05/06 DW        | 1 Pcs  |                |
| 343   | 8057053        | Subs to 8075110              | 1 Pcs  |                |
| 344   | 8060068        | Micro Switch,Overfill 05/06  | 1 Pcs  |                |
| 345   | 8058500        | Hose Pressure Sw. 05/06 DW   | 1 Pcs  |                |
| 346   | 8801123        | Replaces 8075197-77. Sump 05 | 1 Pcs  |                |
| 347   | 8058503        | O-Ring, Sump 05/06 DW        | 1 Pcs  |                |
| 348   | 8057487-79     | Sump Plug DW 05/06 Cleanout  | 1 Pcs  |                |
| 349   | 8002584        | O-Ring, Drain Pump 05/06 DW  | 1 Pcs  |                |
| 350   | 8072032        | Drain Pump 05/06 DW          | 1 Pcs  |                |
| 351   | 8052239        | Hose Clamp, Squeeze          | 1 Pcs  |                |
| 352   | 8057488        | Locking ring, bottom well 05 | 1 Pcs  |                |
| 353   | 8058454        | Cover Str. Basket 05/06 DW   | 1 Pcs  |                |
| 354   | 8057972-77     | Strainer Basket Grey 05/06 D | 1 Pcs  |                |
| 355   | 8057486-77     | Filter, fine 05 & 06 DW      | 1 Pcs  |                |
| 356   | 8071250        | Circ. Pump 05/06 DW          | 1 Pcs  |                |
| 356-a | 8075380        | capacitor D3000              | 1 Pcs  |                |
| 358   | 8072528-77     | Holder Outlet Hose           | 1 Pcs  |                |



## DISKSYSTEM

## DISHWASHING SYSTEM



## ***Dishwashing system***

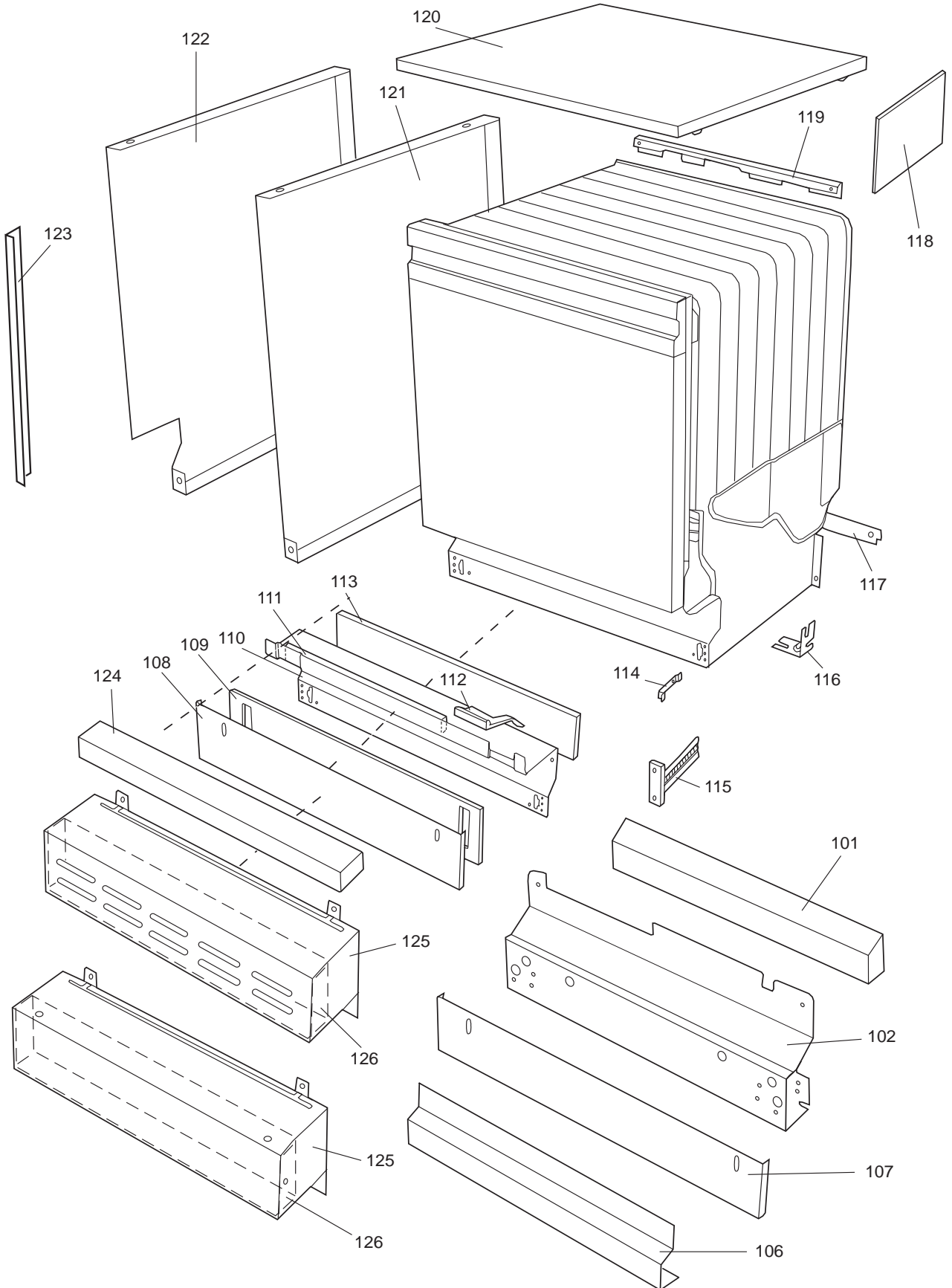
*ASKO, D1996 US - M-Grey FI (DW95FI)*

| <b>Pos</b> | <b>Spare part No.</b> | <b>Description</b>        | <b>Qty</b> | <b>Comment</b> |
|------------|-----------------------|---------------------------|------------|----------------|
| 358        | 8050805               | GOOSE NECK for DRAIN HOSE | 1 Pcs      |                |

Datum  
2003-03-24  
Date

## YTTERHÖLJE

## CASING AND RELATED PARTS

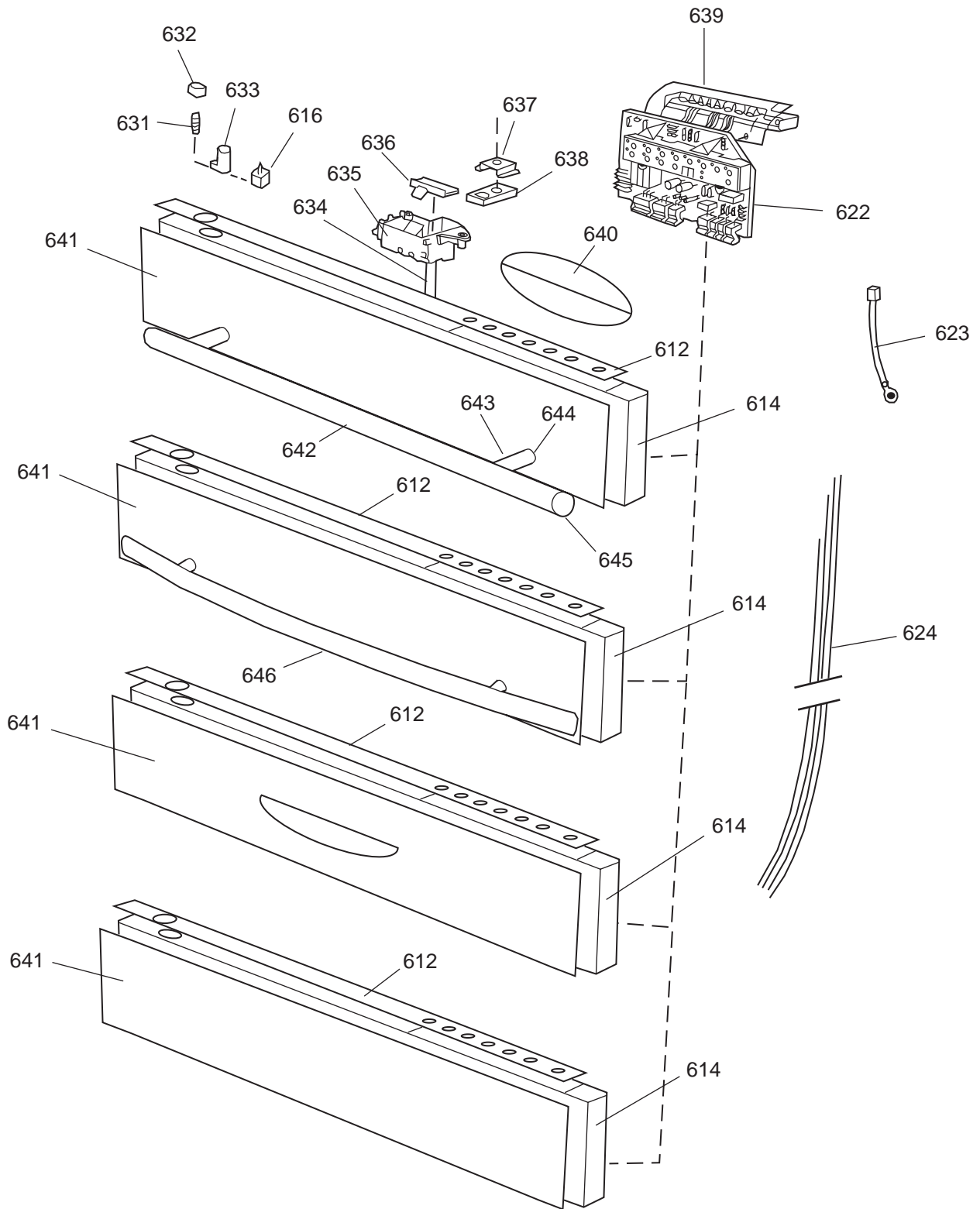




## Casing and related parts

### ASKO, D1996 US - M-Grey FI (DW95FI)

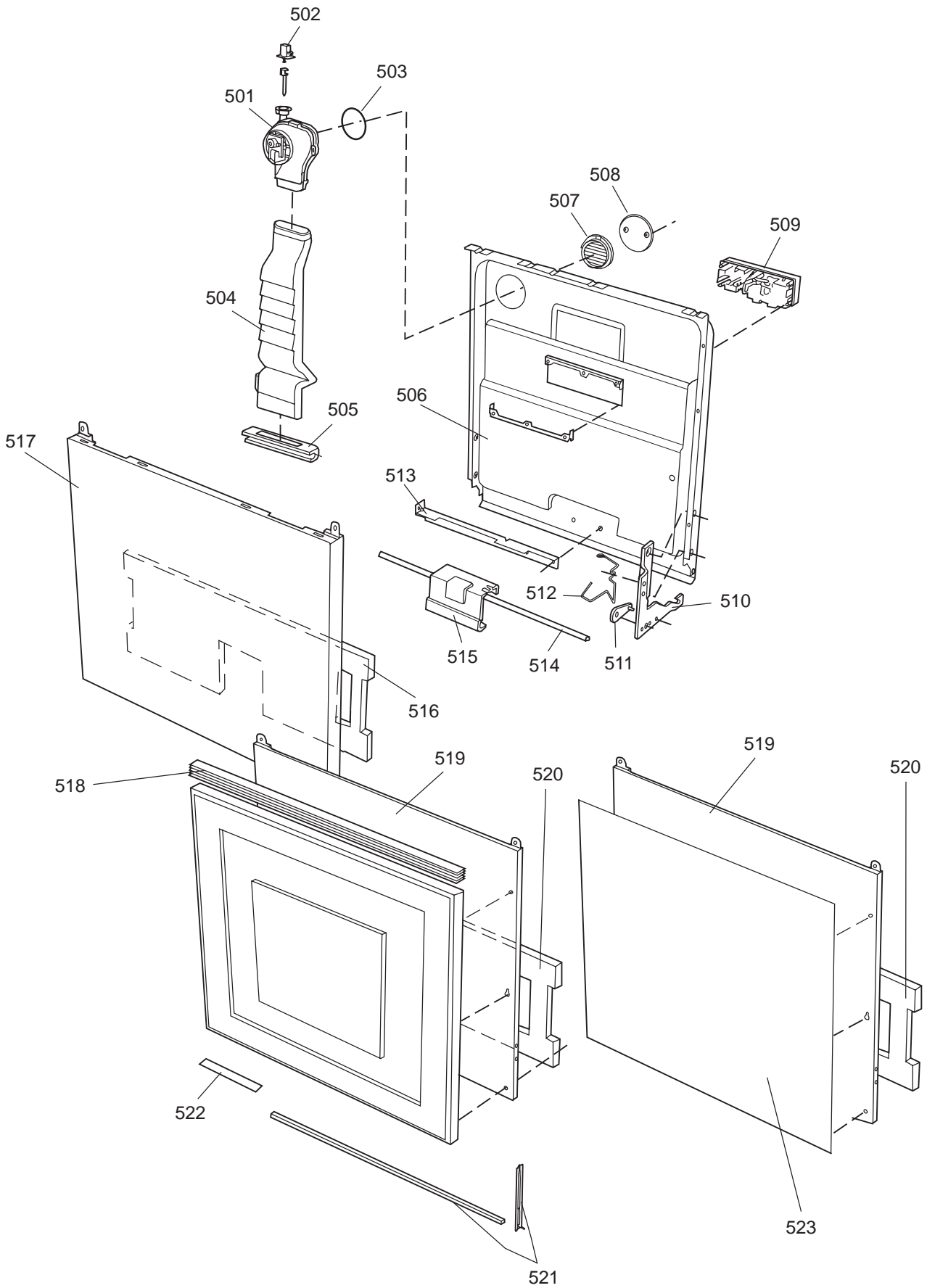
| Pos   | Spare part No. | Description                  | Qty    | Comment |
|-------|----------------|------------------------------|--------|---------|
| 107   | 8057528-81     | Kick Plate Low Grey Metal    | 1 Pcs  |         |
| 107   | 8073566-81     | Toe Kick Mettalic            | 1 Pcs  |         |
| 107   | 8073566        | KICKING PLATE LOW            | 1 Pc's |         |
| 107-a | 8900944        | Screw Toe Kick 20 Torx       | 2 Pcs  |         |
| 108   | 8073567-81     | Toe Kick Mettalic            | 1 Pcs  |         |
| 108   | 8057529-81     | Kick Plate High Grey Metal   | 1 Pcs  |         |
| 108   | 8073567        | KICKING PLATE HIGH           | 1 Pc's |         |
| 108-a | 8900352        | Screw Access Panel 05/06     | 2 Pcs  |         |
| 108-a | 8900944        | Screw Toe Kick 20 Torx       | 2 Pcs  |         |
| 108-b | 8902357        | Screw                        | 2 Pcs  |         |
| 109   | 8074585        | Felt, Kick Plate '05         | 1 Pcs  |         |
| 109   | 8060087        | FELT KICKING Repl.by 8074585 | 1 Pc's |         |
| 110   | 8057526        | Guard Plate DW05 & 06        | 1 Pcs  |         |
| 110   | 8073707        | Proection Plate              | 1 Pcs  |         |
| 110-a | 8902357        | Screw                        | 4 Pcs  |         |
| 111   | 8060041        | Sealing strip, protect plte  | 1 Pcs  |         |
| 112   | 8058486        | Drip Guard Overflow 05/06 DW | 1 Pcs  |         |
| 113   | 8058353        | Sound Absorb Guard           | 1 Pcs  |         |
| 114   | 8057550        | Spring Adj. Bracket 05/06 DW | 2 Pcs  |         |
| 114   | 8073481-49     | Spring Kicking Plate L. Gray | 2 Pcs  |         |
| 114-a | 8902131        | Screw, disc.jh 11-99         | 2 Pcs  |         |
| 115   | 8057549        | Bracket/Toe Kick 05/06 DW    | 2 Pcs  |         |
| 115   | 8073480        | Toe Kick bracket Right & Lef | 2 Pcs  |         |



## Control panel and related parts

### ASKO, D1996 US - M-Grey FI (DW95FI)

| Pos   | Spare part No. | Description                  | Qty    | Comment         |
|-------|----------------|------------------------------|--------|-----------------|
| 612   | 8072940-81     | Decor Insert                 | 1 Pcs  |                 |
| 614   | 8070640-81     | Control Panel 06 DW          | 1 Pcs  |                 |
| 616   | 8057547        | On/Off Switch DW             | 1 Pcs  |                 |
| 621   | 8060076        | Cover, protective 05         | 1 Pcs  |                 |
| 622   | 8801203        | Board, DW-FI                 | 1 Pcs  |                 |
| 622-a | 8902053        | Screw                        | 2 Pcs  |                 |
| 622-b | 8902087        | Screw, Plastic Housing 20 To | 2 Pcs  |                 |
| 622-c | 8060076        | Cover, protective 05         | 1 Pcs  |                 |
| 623   | 8059767        | Thermistor 05/06 DW          | 1 Pcs  |                 |
| 624   | 8073464        | Cable D1996 FI               | 1 Pcs  |                 |
| 624   | 8059861        | BASIC HARNESS DOOR DW95E     | 1 Pc's |                 |
| 624   | 8059865        | Basic Harness                | 1 Pcs  |                 |
| 631   | 8070650        | Spring Main Switch 1805      | 1 Pcs  |                 |
| 632   | 8070644-81     | Push Button                  | 1 Pcs  |                 |
| 633   | 8070643-81     | Main Switch                  | 1 Pcs  |                 |
| 634   | 8071077        | Rubber Hose, handle 1805     | 1 Pcs  |                 |
| 635   | 8070647        | Latch/Switch Assy,1805-1996  | 1 Pcs  |                 |
| 636   | 8070645-77     | Masking Detail FullInt. Grey | 1 Pcs  |                 |
| 637   | 8070654        | LOCK WASHER INTEGR.          | 1 Pc's |                 |
| 637   | 8070648        | Lock Washer Int.             | 1 Pcs  | Part of 8070469 |
| 638   | 8070649        | Lock Hitch Int.              | 1 Pcs  |                 |
| 638-a | 8070648        | Lock Washer Int.             | 1 Pcs  | Part of 8070469 |
| 638-b | 8901104        | Screw 20 Torx Machine        | 1 Pcs  |                 |
| 639   | 8071049        | Protective Cover Keyboard    | 1 Pcs  |                 |
| 640   | 8070641        | Handle 1805                  | 1 Pcs  |                 |
| 640-a | 8902087        | Screw, Plastic Housing 20 To | 2 Pcs  |                 |
| 641   | 8070883-0      | Decor Insert                 | 1 Pcs  |                 |
| 690   | 8075564        | INSTR. D/WASHER USA DW95 ENG | 1 Pc's |                 |
| 690   | 8075565        | INSTR. D/WASHER USA DW95 FR  | 1 Pc's |                 |
| 690   | 8075566        | INSTR. D/WASHER USA DW95 ES  | 1 Pc's |                 |
| 690   | 8073096        | INSTR. GENERAL D/WASHER USA  | 1 Pc's |                 |



## Door and related parts

### ASKO, D1996 US - M-Grey FI (DW95FI)

| Pos   | Spare part No. | Description                    | Qty   | Comment |
|-------|----------------|--------------------------------|-------|---------|
| 501   | 8052778        | WAX MOTOR DW 05/06             | 1 Pcs |         |
| 501   | 8060021        | Turbo Fan Complete 05/06 DW    | 1 Pcs |         |
| 503   | 8058501        | O-Ring Turbo Fan Dry 05/06 D   | 1 Pcs |         |
| 504   | 8057963-P      | Air Channel Adj. 1895 FI       | 1 Pcs |         |
| 505   | 8072297-33     | NOZZLE AIR DUCT INTEG. COMPL.  | 1 Pcs |         |
| 505   | 8072732-33     | Nozzle Air Duct                | 1 Pcs |         |
| 506   | 8801120        | Inner Door Integrated 05/06    | 1 Pcs |         |
| 507   | 8057964        | Locking ring, turbo fan 05     | 1 Pcs |         |
| 507-a | 8902085        | Screw 20T for Plastic          | 2 Pcs |         |
| 508   | 8058484        | SS Coverplate Turbo Fan DW     | 1 Pcs |         |
| 508-a | 8902085        | Screw 20T for Plastic          | 2 Pcs |         |
| 509   | 8801140-77     | Combi Disp.                    | 1 Pcs |         |
| 510   | 8057524        | Hinge Right DW 05/06           | 1 Pcs |         |
| 510   | 8057525        | Hinge, left DW 05/06           | 1 Pcs |         |
| 510-a | 33500262       | Nut - Term Block               | 1 Pcs |         |
| 510-b | 8057530        | Screw, hinge 05                | 1 Pcs |         |
| 510-c | 8902120        | Screw 20 Torx Machine          | 2 Pcs |         |
| 511   | 8057948        | Slide washer, hinge bearing    | 2 Pcs |         |
| 512   | 8073612        | Bracket for Harness            | 1 Pcs |         |
| 514   | 8060254        | Lower Seal, Inner Door 05/06   | 1 Pcs |         |
| 515   | 8057985        | Outer Door Lower Stay 05/06    | 1 Pcs |         |
| 515-a | 8902357        | Screw                          | 2 Pcs |         |
| 516   | 8060080        | SOUND ABSORP. INNER DOOR COMBI | 1 Pcs |         |
| 519   | 8074801-PT     | DOOR OUTER INTEG. ADJUST.      | 1 Pcs |         |
| 519   | 8074801-PT-81  | Door Outer Int. Adj. Gray      | 1 Pcs |         |
| 519   | 8057986-PT-81  | Door Outer Integr. Metallic    | 1 Pcs |         |
| 519-a | 8900646        | Screw 20 Torx SS               | 6 Pcs |         |
| 520   | 8070294        | Sound Insulation DW Ft. Door   | 1 Pcs |         |
| 521   | 8070363        | Adjustable Frame Comp Door     | 1 Pcs |         |
| 521   | 8070350-33     | PLUG 10/13 BLACK               | 2 Pcs |         |
| 521-a | 8902133        | SCREW MRT-GF M5x8 COMB T25 FZB | 2 Pcs |         |